

# 36" Standard-Depth 3-Door Refrigerator



500 Series – Black Stainless Steel B36FD52SNB



**B36FD52SNB**  
Black Stainless Steel

Also available in:

Stainless Steel  
B36FD52SNS

**36" 500 Series French Door Bottom Freezer Refrigerator, Standard Depth, External Ice/Water Dispenser, Stainless Steel, Bar Handles**

## Features & Benefits

Never run out of ice – the QuickIce Pro® System produces 12 lbs. of ice per day.<sup>1</sup>

Say goodbye to smudges and fingerprints with new anti-fingerprint stainless steel

Convenient external control panel displays fridge and freezer temperature settings

With Home Connect®, remotely control and monitor your appliance to efficiently manage your day.

UltraClarityPro® water filter reduces >99.9% of sediment that may be found in your water and ice, including harsh elements like chlorine and chloramine.

## Dimensions and Weight

Overall width (inches)	35 5/8"
Overall height (inches)	70"*
Overall depth with doors and handles (inches)	32 1/8"
Overall depth without doors and handles (inches)	28 3/8"
Required cutout size (HxWxD) (inches)	70" x 36" x 25"
Net Weight /Gross Weight (approx.) (lbs.)	327 / 355

## Style

Color	Stainless Steel
Door handle type	Bar handle
Interior finish	White and stainless steel back wall
Standard depth	Yes

## Performance

VitaFresh® Plus	Yes
SuperFreeze®	Yes
Evaporators / Compressors	1 / 1
QuickIce Pro®	Yes
Automatic defrosting	Yes
External water dispenser	Yes (ice and water)
One touch bottle fill	Yes

## Capacity and Storage

Total capacity (cu. ft.)	26
Refrigerator capacity (cu. ft.)	18
Freezer capacity (cu. ft.)	8
Full-extension freezer storage drawer	1
2-tiered freezer drawer	Yes
Full width chiller drawer	1
Humidity control drawers	2
Storage shelves	4 Adjustable, 1 Fixed
Small door bins	5
Large gallon door bins	2

## General Features

Anti-fingerprint stainless steel	Yes
External control panel	Yes
Water filter replacement indicator	Yes
Water filter	UltraClarityPro®
Ice maker	Yes
Ice production (24 hrs.), ice cubes (lbs.)	12
Ice storage capacity (lbs.)	2.8
LED interior and drawer lighting	Yes
Independent cooling systems	1
Cooling system	MultiAirFlow™
AirFresh® filter	Yes
Maximum sound level	40 dBA
Wi-Fi-enabled for control with Home Connect® app	Yes

## Energy Efficiency

Energy consumption (kWh/yr)	702
ENERGY STAR® Certified	Yes

## Technical Specs

Required power supply	110-127 V, 60 Hz, 15 amps
Plug type	120V-3 Prong
Power cord length (in.)	91"

## Operating Temperature

Refrigerator:	33°F (1°C) to 43°F (6°C)
Freezer Drawer:	-7°F (-22°C) to 6°F (-14°C)
SuperCool:	30°F (-1°C) for approx. 8 Hrs.
SuperFreeze®:	-15°F (-26°C) for approx. 8 Hrs.

## Warranty

Limited warranty, parts & labor	1 Year
---------------------------------	--------

## Optional Accessories

Replacement UltraClarityPro® water filter: BORPLFTR55
FreshProtect™ Ethylene Filter Kit: FPETHKT50
Water filter bypass (part no.): 10013297
90 degree door stopper: 10012733



<sup>1</sup>Based on filling 8 oz glasses.

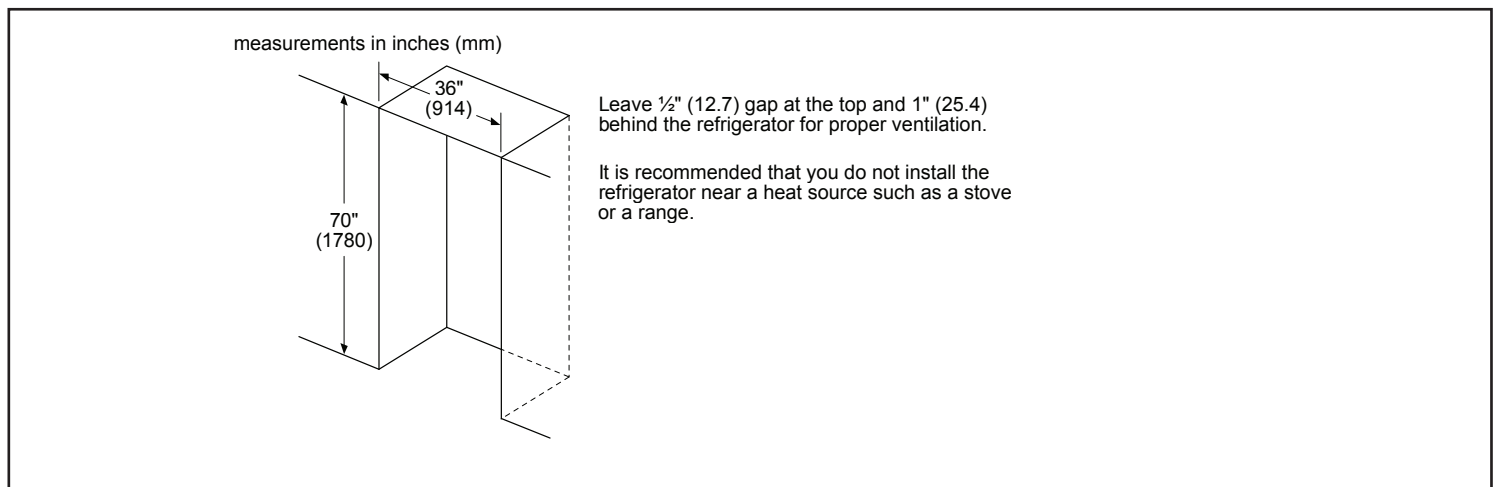
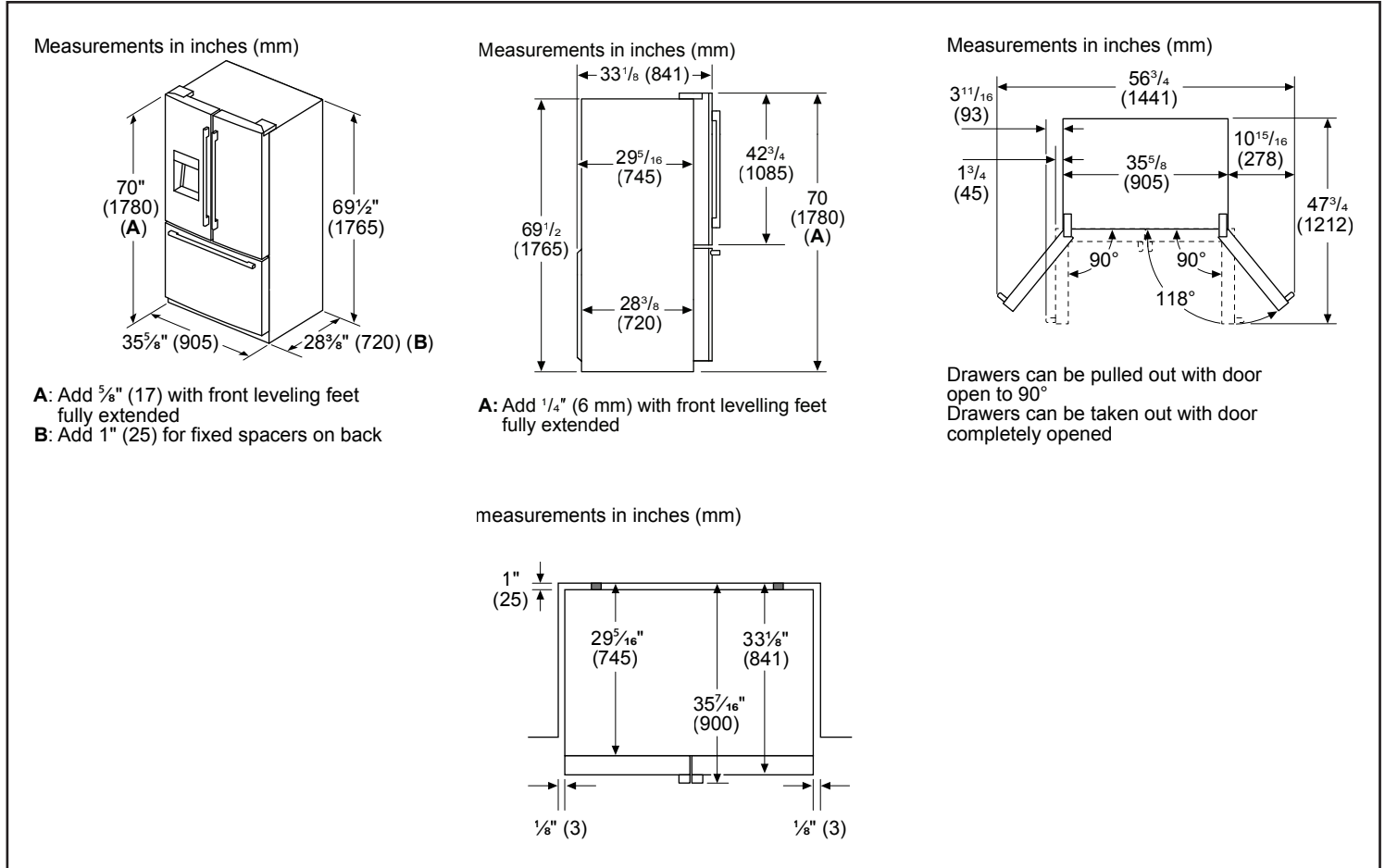
\*When leveling legs are fully extended, add 5/8" to overall height, total 70 5/8".

# 36" Standard-Depth 3-Door Refrigerator



500 Series – Black Stainless Steel B36FD52SNB

## Installation Details



**Accessories:** To purchase Bosch accessories, cleaners & parts please visit [www.bosch-home.com/us/store](http://www.bosch-home.com/us/store) or call 1-800-944-2904 (Mon to Fri 5 am to 6 pm PST, Sat 6 am to 3 pm PST).

**Notes:** All height, width and depth dimensions are shown in inches. BSH reserves the absolute and unrestricted right to change product materials and specifications, at any time, without notice. Consult the product's installation instructions for final dimensional data and other details prior to making cutout.

**Warranties:** Please see Use & Care manual or Bosch website for statement of limited warranty.

**For more information on our entire line of products, go to [www.bosch-home.com/us](http://www.bosch-home.com/us) or call 1-800-944-2904**

© BSH Home Appliances Corporation. All rights reserved. Bosch is a registered trademark of Robert Bosch GmbH.