

# 30" Speed Combination Oven

500 Series – Stainless Steel HBL5754UC



**HBL5754UC**  
Stainless Steel

**The Bosch Combination Wall Oven combines your favorite tools into one appliance. The lower oven is a convection oven, roaster, warming drawer and more.**

## Features & Benefits

The upper speed oven functions as a microwave and convection oven so you have flexible cooking options.

Convection Pro combines a third heating element with a back fan for even browning and time savings by using multiple racks at one time.

## General Properties

Speed oven modes – upper oven (36) 12 Auto Programs (including Auto Defrost, Melt Butter, Soften Ice Cream, Pizza), 10 Sensor Cook Programs, 9 SpeedChef® Programs, Keep Warm, Frozen Foods Defrost, Convection Broil (fan + broil), Convection Bake

Oven modes – lower oven (13) Bake, Broil (Hi & Low), Roast, Warm, Proof Dough, Convection Bake, Convection Broil, Convection Roast, Pizza, Convection Multi-Rack, Convection Conversion, Sabbath

Cleaning type – lower oven Self Clean

Telescopic rack 1

Illumination type – upper & lower oven LED / Halogen

Interior lights – upper & lower oven 1 / 2

## Oven Performance

Max. microwave power – upper oven 1,000 W

Microwave power levels 10

Bake / broil element – upper oven 600 / 1,750 W

Convection element – upper oven 1,700 W

Bake element (4-pass) – lower oven 2,400 W

Broil element (12-pass) – lower oven 3,800 W

## Technical Details

Watts at 240 / 208 V 9,600 / 8,400 W

Circuit breaker 40 A

Volts 240 / 208 V

Frequency 60 Hz

Power cord length 60"

Plug type Fixed Connection, No Plug

Energy source Electric

## Dimensions & Weight

Overall appliance dimensions (HxWxD) 49" x 29 3/4" x 24 1/2"

Required cutout size – Standard (HxWxD) 48 5/8" x 28 1/2" x 23 1/2"

Required cutout size – Flush (HxWxD) 49 1/8" x 30" x 24 1/2"

Oven cavity size – upper & lower oven 1.6 / 4.6 cu. ft.

Overall upper oven interior dimensions (HxWxD) 9 7/8" x 16 1/2" x 16 1/2"

Turntable – metal max. cookware – upper 12 3/4" dia.

Turntable – ceramic tray max. cookware – upper 12 1/2" dia.

Rack – rectangular max. cookware – upper 15" x 12"

Overall lower oven interior dimensions (HxWxD) 17 13/16" x 24 1/8" x 18"

Usable lower oven interior dimensions (HxWxD) 12 5/16" x 23 1/4" x 15 1/4"

Net weight 272 lbs

## Accessories – Included

Upper Oven: Metal Turntable, Square Rack, Ceramic Cooking Tray  
Lower Oven: 2 Standard Oven Racks

## Accessories – Optional



**HEZTR301**  
30" Telescopic Rack



**00449757**  
Broiler Pan



**00798845**  
30" Flat Rack



**Accessories:** To purchase Bosch accessories, cleaners & parts please visit [www.bosch-home.com/us/store](http://www.bosch-home.com/us/store) or call 1-800-944-2904 (Mon to Fri 5 am to 6 pm PST, Sat 6 am to 3 pm PST).

**Notes:** All height, width and depth dimensions are shown in inches. BSH reserves the absolute and unrestricted right to change product materials and specifications, at any time, without notice. Consult the product's installation instructions for final dimensional data and other details prior to making cutout.

**Warranties:** Please see Use & Care manual or Bosch website for statement of limited warranty.

**For more information on our entire line of products, go to [www.bosch-home.com/us](http://www.bosch-home.com/us) or call 1-800-944-2904**

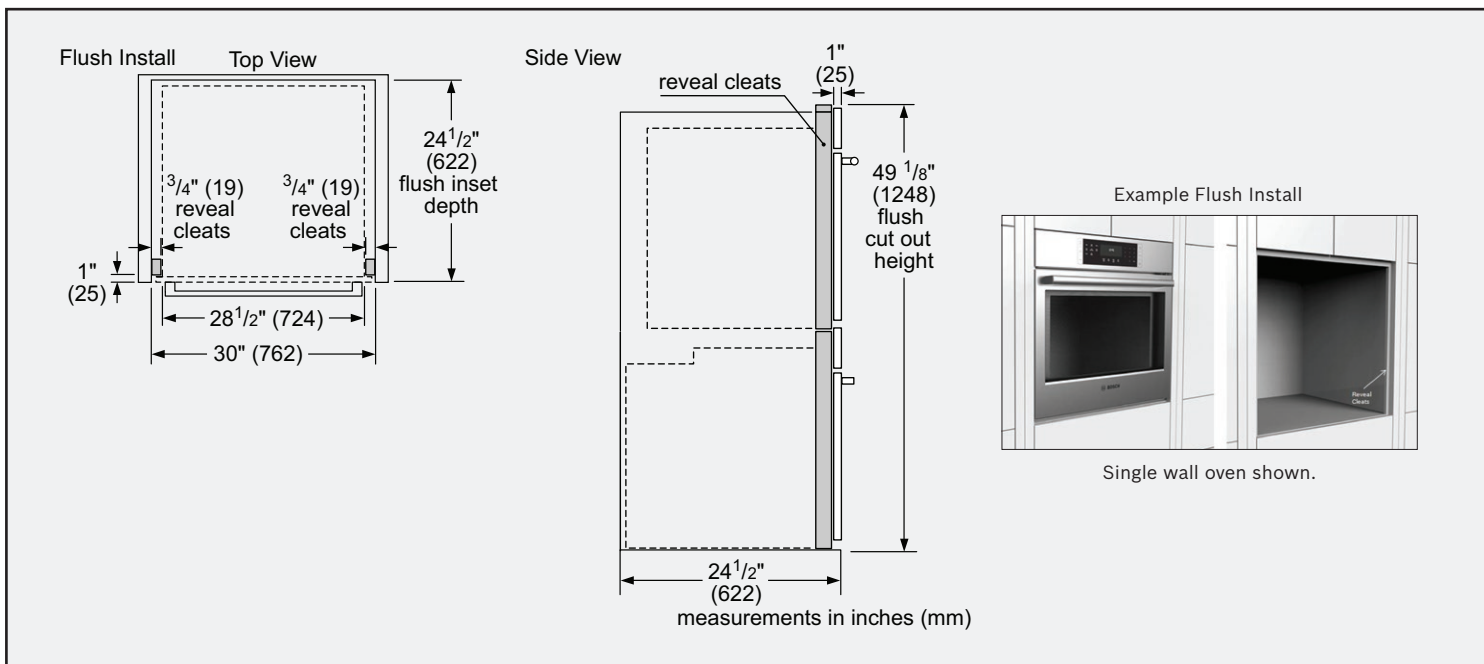
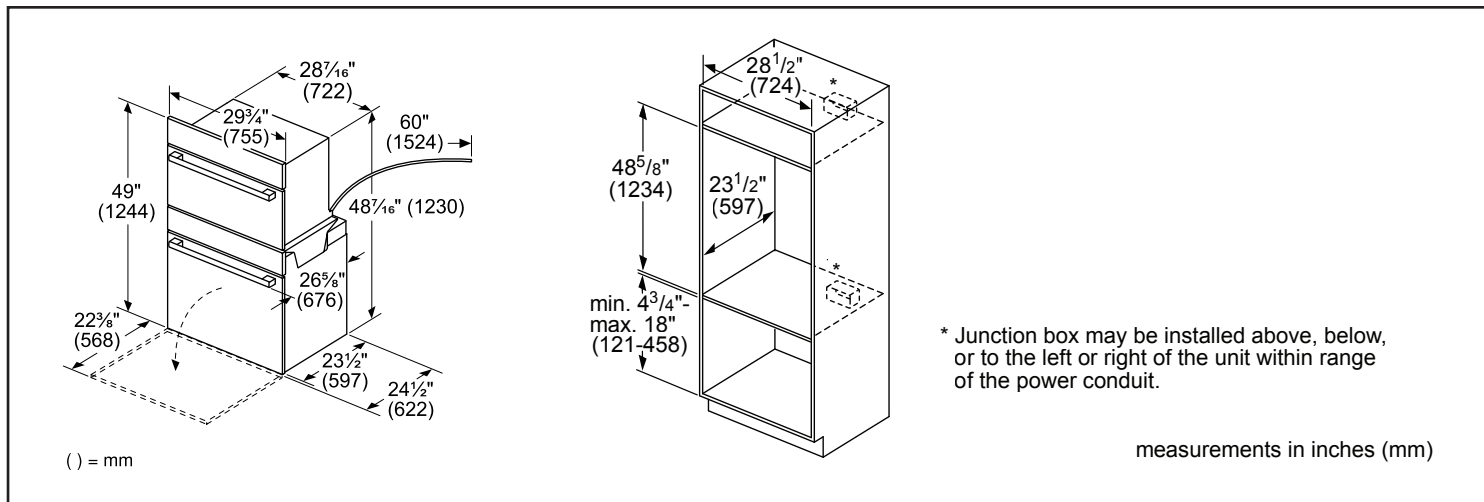
© BSH Home Appliances Corporation. All rights reserved. Bosch is a registered trademark of Robert Bosch GmbH.

# 30" Speed Combination Oven

500 Series – Stainless Steel HBL5754UC



## Installation Details



**Accessories:** To purchase Bosch accessories, cleaners & parts please visit [www.bosch-home.com/us/store](http://www.bosch-home.com/us/store) or call 1-800-944-2904 (Mon to Fri 5 am to 6 pm PST, Sat 6 am to 3 pm PST).

**Notes:** All height, width and depth dimensions are shown in inches. BSH reserves the absolute and unrestricted right to change product materials and specifications, at any time, without notice. Consult the product's installation instructions for final dimensional data and other details prior to making cutout.

**Warranties:** Please see Use & Care manual or Bosch website for statement of limited warranty.

**For more information on our entire line of products, go to [www.bosch-home.com/us](http://www.bosch-home.com/us) or call 1-800-944-2904**

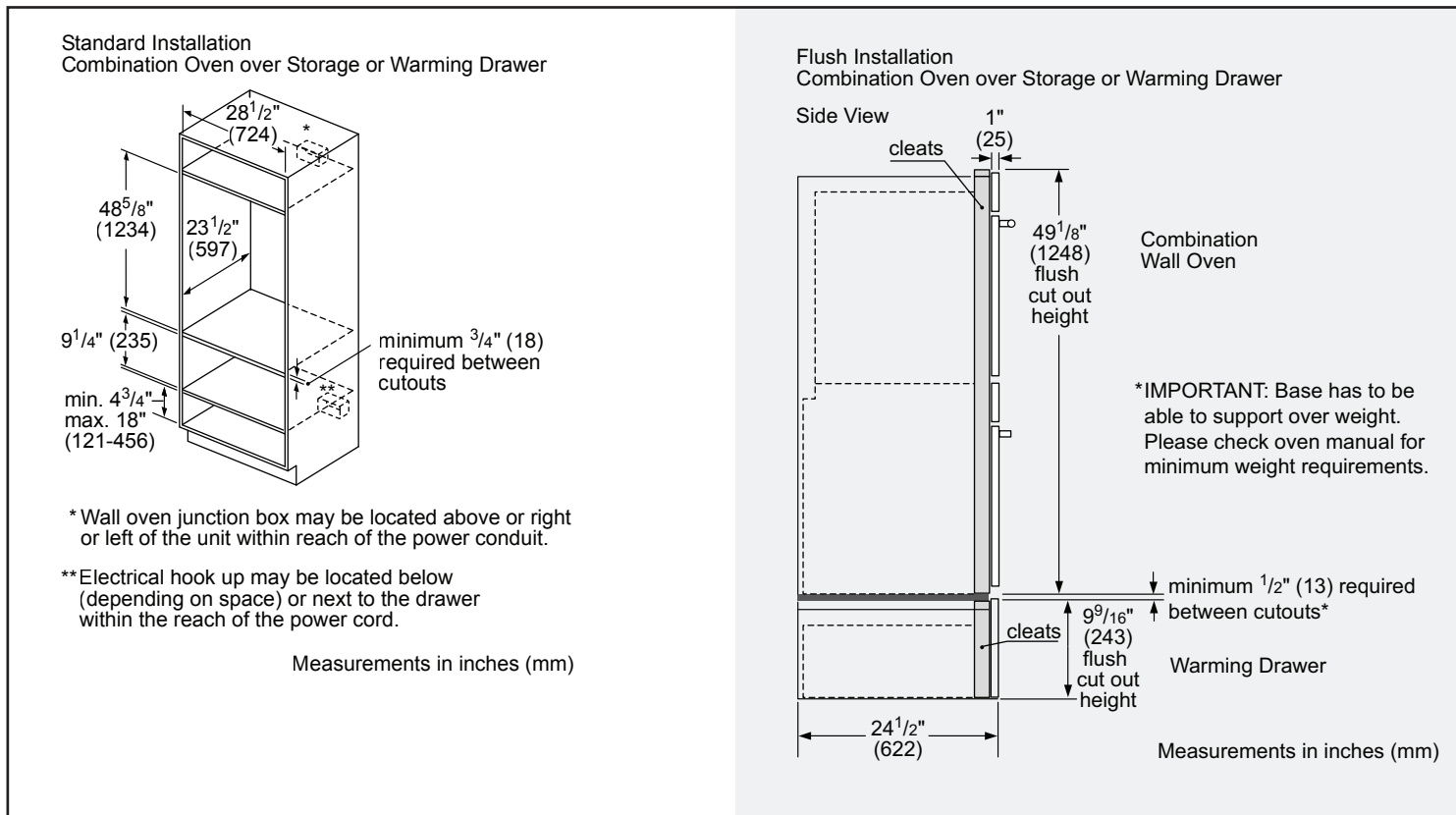
© BSH Home Appliances Corporation. All rights reserved. Bosch is a registered trademark of Robert Bosch GmbH.

# 30" Speed Combination Oven

500 Series – Stainless Steel HBL5754UC



## Installation Details



**Accessories:** To purchase Bosch accessories, cleaners & parts please visit [www.bosch-home.com/us/store](http://www.bosch-home.com/us/store) or call 1-800-944-2904 (Mon to Fri 5 am to 6 pm PST, Sat 6 am to 3 pm PST).

**Notes:** All height, width and depth dimensions are shown in inches. BSH reserves the absolute and unrestricted right to change product materials and specifications, at any time, without notice. Consult the product's installation instructions for final dimensional data and other details prior to making cutout.

**Warranties:** Please see Use & Care manual or Bosch website for statement of limited warranty.

**For more information on our entire line of products, go to [www.bosch-home.com/us](http://www.bosch-home.com/us) or call 1-800-944-2904**

© BSH Home Appliances Corporation. All rights reserved. Bosch is a registered trademark of Robert Bosch GmbH.