



This Month: Bosch Dishwashers

Keeping it clean with Finish®!



Using Finish® products can enhance the performance of your Bosch dishwasher!



- **FINISH® Dishwasher Cleaner** removes hidden grease and grime** and helps maintain hidden machine parts.
- Best of all, no need to run in an empty dishwasher!

**improved results with detergent vs. detergent alone
*Information from Finish® website

Did you know that your dishwasher needs to be cleaned every month to make sure it's running at its best? It's true. Our Dishwasher Cleaner makes cleaning your dishwasher easy!

- We recommend that you use **FINISH® Machine Cleaner** with 5X POWER ACTIONS once a month, or as soon as you notice build up in your dishwasher. Clean, freshen, and help maintain your dishwasher, while cleaning even the hidden parts.

FINISH® Quantum® gives you ultimate clean & shine! Our three chamber tab has the power to break down tough messes, cut through grease, and deliver a finishing boost of shine. Because there's clean. Then there's so clean it shines.

- The three separate chamber tab delivers the cleaning power of an overnight soak, scrubbing away even 24-hour dried on food!
- Advanced powder with bleach seeks out and cleans tough stains like tea and coffee.
- Our quick dissolving tab washes away residue for an amazing shine.
- It also prevents the corrosion that causes permanent clouding while delivering ultimate clean and amazing shine – without having to pre-rinse!

*Information from Finish® website

- It works by safely and effectively breaking down and removing mineral build up that's inside your machine, including hard-to-reach parts like the heating element and sprayer arms.

*Information from Finish® website



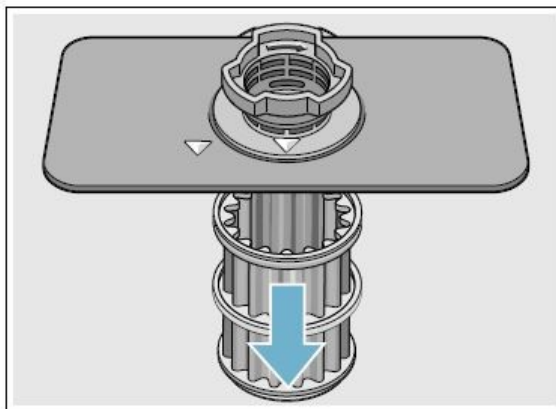
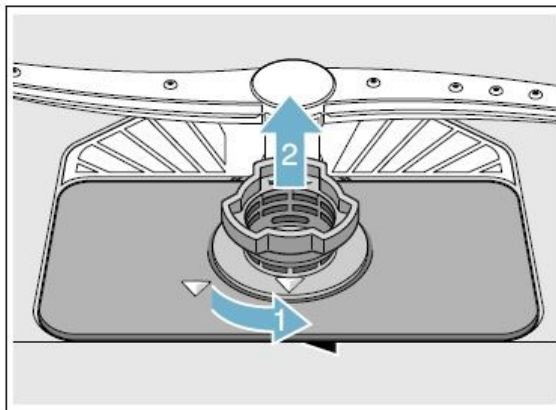
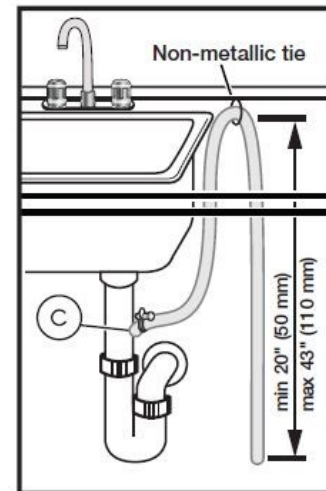


Bosch Filters

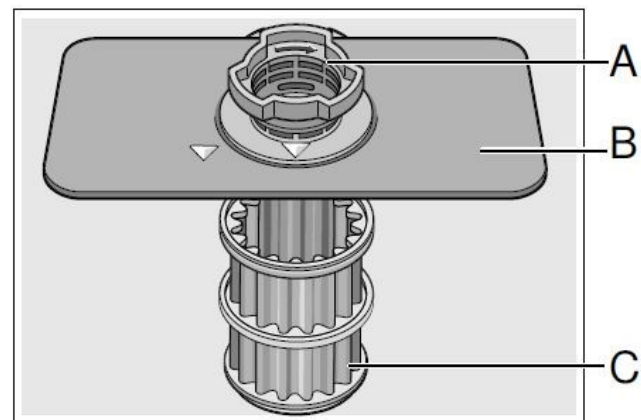
The most common cause of odors is due to infrequent usage of the dishwasher. In this case, food soil builds up on the filter and seals. Regular cleaning of the filter and door seals keep soil from building up and creating odors. Review the Use & Care guide to view detailed instructions with photos of how to clean the filter system in your dishwasher.

Don't forget:

- To clean door seals: Wipe with a clean damp cloth
- Drain hose must have a "high loop" at least 20" above the floor to the pump properly. Dirty water may cause odors. Review the installation instructions for additional details.



Every Bosch dishwasher must pass 485 stringent quality checks- including running every single one with water- before leaving our factory. So you can rest assured that your dishwasher will be ready to take on whatever life throws your way.



- Scrape off food before loading dishes
- You can check the filter by removing , use a brush to clean the filter and rinsing it off
- Clean A, B, and C then place it back into the dishwasher
- Clean along the side of the dishwasher (door and the base of the unit)
- (A) Large Object Trap: Prevents objects entering the pump system or clogging your household drain
- (B) Flat Fine Filter: Prevents food particles from entering the wash chamber and directs particles toward the mirco filter
- (C) Mirco Filter: Directs the smallest of particles to the household plumbing drain

Don't forget...the dishwasher itself does not create odors!

In a rush for Bosch spec sheet? Use BSH "Text4spec" —Text a model number from your cell phone to 21432 and we'll send you a spec sheet back.

Unsure of the current promotions with Bosch products? Contact your DSM for the latest programs.

Thank you for your support.