

30" Single Wall Oven

800 Series – Stainless Steel HBL8451UC



HBL8451UC
Stainless Steel

Also available in:
Black HBL8461UC

The Bosch wall oven installs flush and features a SmoothClose door.

Features & Benefits

Dampened hinges softly and quietly guide the SmoothClose door shut.

A full-extension telescopic rack offers safe access to the oven cavity.

Touch control with SteelTouch™ buttons makes operating the oven easier.

The wall oven is designed to be installed flush with cabinetry.

Bosch wall ovens are compatible with most competitors' cutouts.

Genuine European Convection for even baking results on multiple racks.

General Properties

| | |
|---------------|--|
| Cooking modes | Bake, Variable Broil (hi & low), Roast, Warm, Sabbath, Proof Dough, Convection Bake, Convection Broil, Convection Roast, Pizza, Multi Rack Genuine European Convection, Convection Conversion, Temperature Probe, Fast Preheat |
|---------------|--|

| | |
|-------------------|--------------|
| Cleaning type | Self Clean |
| Telescopic rack | 1 |
| Illumination type | Incandescent |
| Interior lights | 2 |

Oven Performance

| | |
|-------------------------------|-----------------|
| Bake / broil element wattages | 2,400 / 3,800 W |
| Convection element wattages | 2,000 W |

Technical Details

| | |
|------------------------|---------------------------|
| Watts (W) | 6,325 W |
| Circuit breaker (A) | 30 A |
| Volts (V) | 240 / 208 V |
| Frequency (Hz) | 60 Hz |
| Power cord length (in) | 50" |
| Plug type | Fixed Connection, No Plug |
| Energy source | Electric |



Dimensions & Weight

| | |
|---|-----------------------------------|
| Overall appliance dimensions (HxWxD) (in) | 29" x 29 3/4" x 23 1/2" |
| Required cutout size (HxWxD) (in) | 27" – 28 5/8" x 28 1/2" x 23 1/2" |
| Oven cavity size (cu. ft.) | 4.6 |
| Overall oven interior dimensions (HxWxD) (in) | 17 13/16" x 24 1/8" x 18" |
| Usable oven interior dimensions (HxWxD) (in) | 12 5/16" x 23 1/4" x 15 1/2" |
| Net weight (lbs) | 149 lbs |

Accessories—Included

| | |
|----------|---|
| Included | 1 Telescopic and 2 Standard Oven Racks, Temperature Probe |
|----------|---|

Accessories—Optional



HEZTR301
30" Telescopic Rack



For help and assistance with Bosch accessories please visit: www.bosch-eshop.com/eshop/bosch/us or call 1-800-944-2904 Mon-Fri 5am to 6pm PST Sat 6am to 3pm PST

Notes: All height, width and depth dimensions are shown in inches. Please refer to installation instructions prior to making cutout. BSH reserves the absolute and unrestricted right to change product materials and specifications, at any time, without notice. Consult the product's installation instructions for final dimensional data and other details. Applicable product warranty can be found in accompanying product literature or you may contact your account manager for further details.

Warranties: Bosch warrants that the Product is free from defects in materials and workmanship for a period of three hundred and sixty-five (365) days from the date of purchase. The foregoing timeline begins to run upon the date of purchase, and shall not be stalled, tolled, extended, or suspended, for any reason whatsoever. This Product is also warranted to be free from cosmetic defects in material and workmanship (such as scratches of stainless steel, paint/porcelain blemishes, chip, dents, or other damage to the finish of the Product, for a period of thirty (30) days from the date of purchase or closing date for new construction. This cosmetic warranty excludes slight color variations due to inherent differences in painted and porcelain parts, as well as differences caused by kitchen lighting, product location, or other similar factors. This cosmetic warranty specifically excludes any display, floor, "As Is", or "B" stock appliances.

For more information on our entire line of products, go to www.bosch-home.com/us or call 1-800-944-2904

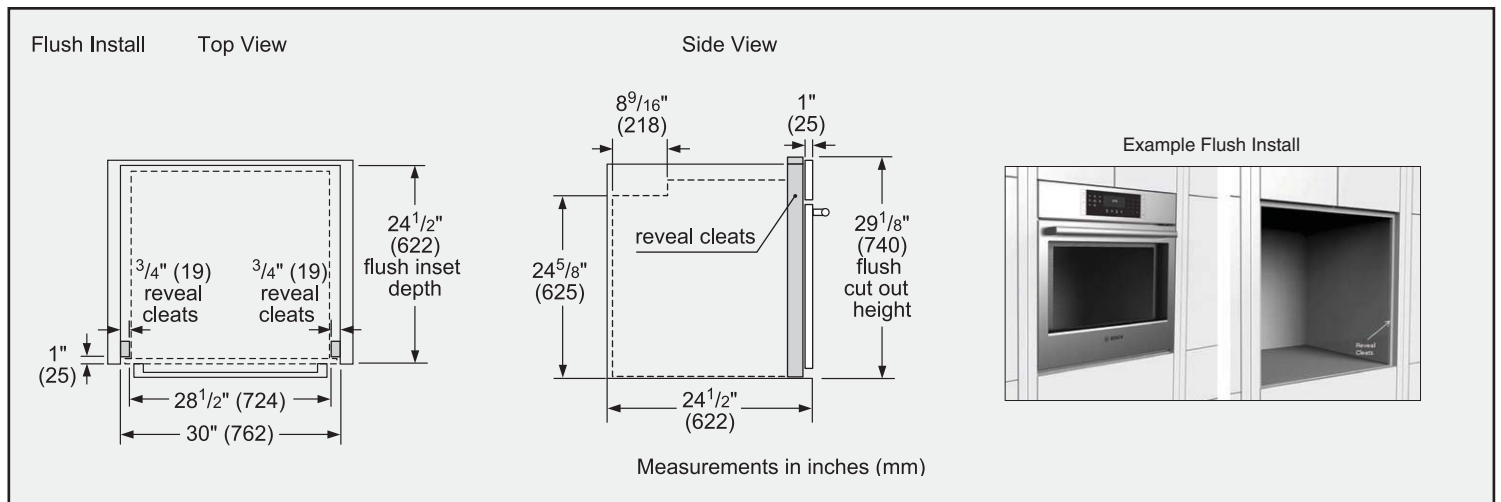
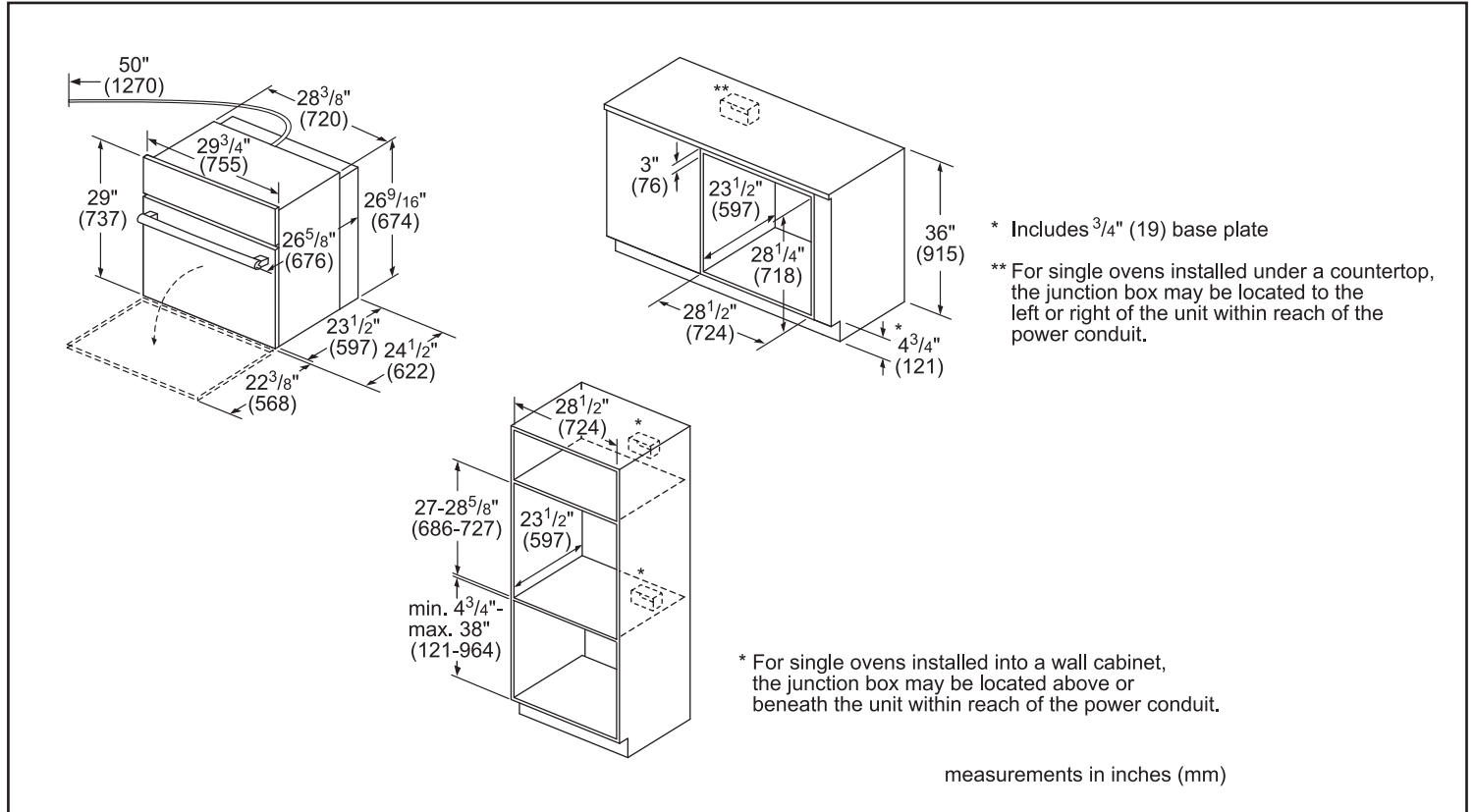
© BSH Home Appliances Corporation. All rights reserved. Bosch is a registered trademark of Robert Bosch GmbH.

30" Single Wall Oven

800 Series – Stainless Steel HBL8451UC



Installation Details



For help and assistance with Bosch accessories please visit: www.bosch-eshop.com/eshop/bosch/us or call 1-800-944-2904 Mon-Fri 5am to 6pm PST Sat 6am to 3pm PST

Notes: All height, width and depth dimensions are shown in inches. Please refer to installation instructions prior to making cutout. BSH reserves the absolute and unrestricted right to change product materials and specifications, at any time, without notice. Consult the product's installation instructions for final dimensional data and other details. Applicable product warranty can be found in accompanying product literature or you may contact your account manager for further details.

Warranties: Bosch warrants that the Product is free from defects in materials and workmanship for a period of three hundred and sixty-five (365) days from the date of purchase. The foregoing timeline begins to run upon the date of purchase, and shall not be stalled, tolled, extended, or suspended, for any reason whatsoever. This Product is also warranted to be free from cosmetic defects in material and workmanship (such as scratches of stainless steel, paint/porcelain blemishes, chip, dents, or other damage to the finish of the Product, for a period of thirty (30) days from the date of purchase or closing date for new construction. This cosmetic warranty excludes slight color variations due to inherent differences in painted and porcelain parts, as well as differences caused by kitchen lighting, product location, or other similar factors. This cosmetic warranty specifically excludes any display, floor, "As Is", or "B" stock appliances.

For more information on our entire line of products, go to www.bosch-home.com/us or call 1-800-944-2904

© BSH Home Appliances Corporation. All rights reserved. Bosch is a registered trademark of Robert Bosch GmbH.

30" Single Wall Oven

800 Series – Stainless Steel HBL8451UC



Installation Details

Standard

Cutout 1 Cutout 2

$1\frac{3}{4}"$ (44mm)

Side-by-Side Installation

The ovens will overlap the cutout resulting in a $\frac{1}{2}"$ (13mm) spacing between the products

IMPORTANT: The spacing between cutouts applies when installing any Bosch 30" or 27" single, double, combination and 27"/30" compact oven in a side-by-side installation.

Flush

Cutout 1 Cutout 2

$\frac{1}{2}"$ (13mm)

Standard Installation
30" Single Oven over Storage or Warming Drawer

- * Wall oven junction box may be located above or right or left of the unit within reach of the power conduit.
- ** Electrical hook up may be located below (depending on space) or next to the drawer within the reach of the power cord.
- minimum $\frac{3}{4}"$ (18mm) required between cutouts

measurements in inches (mm)

Flush Installation
Single Oven over Storage or Warming Drawer

Side View

measurements in inches (mm)

IMPORTANT: base has to be able to support oven weight. Please check oven manual for minimum weight requirements.

Standard Installation
30" Speed Microwave Oven over Single Oven***

- * Junction box may be located above or next to the unit within the reach of the power cord.
- ** Junction box may be located below (depending on space) or next to the unit within the reach of the power cord.
- *** Most combinations available as combo oven (one cut out, one electrical hook up).
- Minimum dimension between cut outs:
 - $1"$ (25mm) for wall oven cut out height of $28\frac{5}{8}"$
 - $2\frac{5}{8}"$ (67mm) for wall oven cut out height of $27"$

measurements in inches (mm)

Flush Installation
Speed Microwave Oven over 30" Single Oven**

Side View

measurements in inches (mm)

IMPORTANT: base has to be able to support oven weight. Please check oven manual for minimum weight requirements.

** Most combinations available as combo oven (one cut out, one electrical hook up).

For help and assistance with Bosch accessories please visit: www.bosch-eshop.com/eshop/bosch/us or call 1-800-944-2904 Mon-Fri 5am to 6pm PST Sat 6am to 3pm PST

Notes: All height, width and depth dimensions are shown in inches. Please refer to installation instructions prior to making cutout. BSH reserves the absolute and unrestricted right to change product materials and specifications, at any time, without notice. Consult the product's installation instructions for final dimensional data and other details. Applicable product warranty can be found in accompanying product literature or you may contact your account manager for further details.

Warranties: Bosch warrants that the Product is free from defects in materials and workmanship for a period of three hundred and sixty-five (365) days from the date of purchase. The foregoing timeline begins to run upon the date of purchase, and shall not be stalled, tolled, extended, or suspended, for any reason whatsoever. This Product is also warranted to be free from cosmetic defects in material and workmanship (such as scratches of stainless steel, paint/porcelain blemishes, chip, dents, or other damage to the finish of the Product, for a period of thirty (30) days from the date of purchase or closing date for new construction. This cosmetic warranty excludes slight color variations due to inherent differences in painted and porcelain parts, as well as differences caused by kitchen lighting, product location, or other similar factors. This cosmetic warranty specifically excludes any display, floor, "As Is", or "B" stock appliances.

For more information on our entire line of products, go to www.bosch-home.com/us or call 1-800-944-2904

© BSH Home Appliances Corporation. All rights reserved. Bosch is a registered trademark of Robert Bosch GmbH.