

Monthly Update: Training Center



June 2016

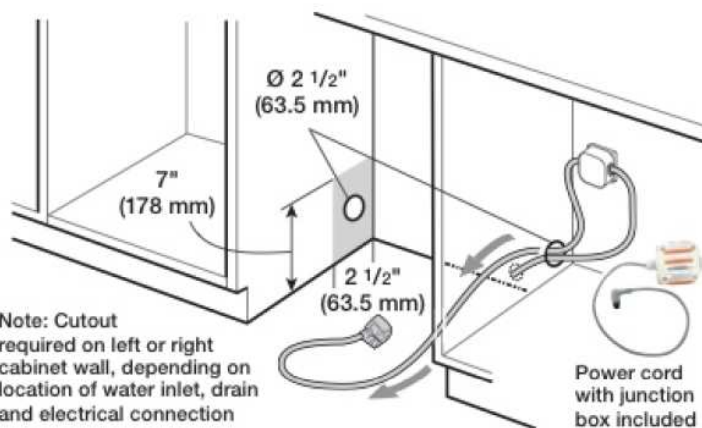


BOSCH
Invented for life

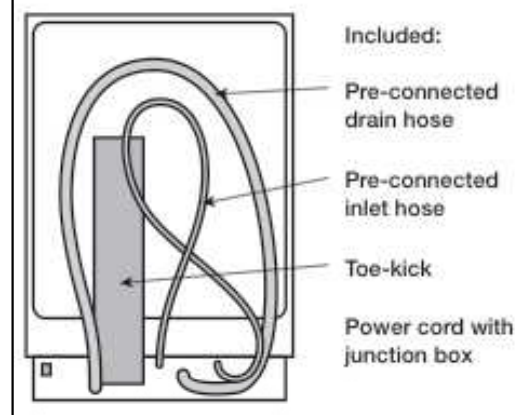
300, 500, 800 Series Dishwasher Power Cord

Bosch mainline dishwashers (300, 500 and 800 series) ship with pre-attached hoses. They have the option to be hardwired using the included junction box or can be plugged in using the Bosch 3-prong power cord that is an optional accessory (sold separately).

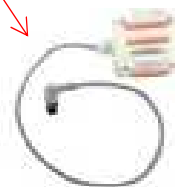
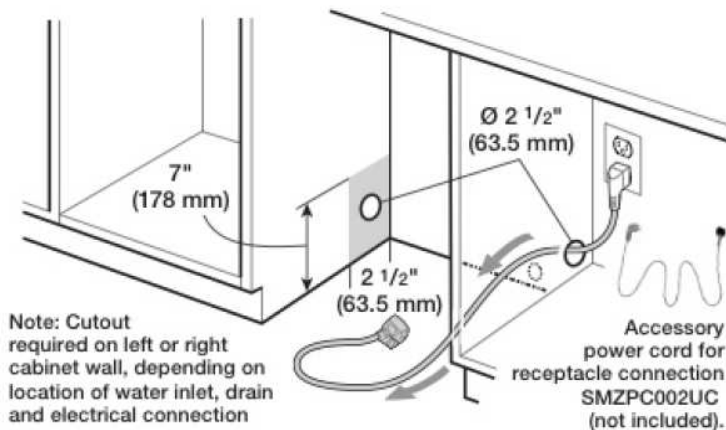
Example of Hardwire Installation



Included Parts & Accessories



Example of Electrical Receptacle Installation



Power cord with junction box included



3-Prong Power Cord
(NOT Included-sold separately)
Model: SMZPC002UC
SKU: 1365189

Bosch Kitchen Suite Promotion...

Step your customer up to savings by helping them save 10% when they purchase 3 or more Bosch appliances.

Offer good, Now thru June 30th, 2016

Get Answers to your Bosch appliance questions...

For any additional questions on Bosch appliances, please contact our product specialists through our sales support website: www.askboschbestbuy.com Live Chat: Mon-Fri 8:30AM to 5:00PM EST
Outside of chat hours? Submit a question and receive a response within 24 Hours.