

# 24" Pocket Handle Dishwasher

800 Series – Black SHPM78W56N



**BOSCH**  
Invented for life



**SHPM78W56N**  
Black

Also available in:

Stainless Steel SHPM78W55N

White SHPM78W52N

**The flexible 3rd rack allows you to accommodate deeper items, while adjustable tines let you customize the rack's loading space.**

## Features & Benefits

42 dBA: Quietest dishwasher brand in the US.

A flexible 3rd rack with folding tines adds 30% more loading area.

Touch Control Technology allows for quick cycle programming.

EasyGlide™ rack provides a smooth glide for easier loading & unloading.

RackMatic® offers 3 height levels, for 9 possible rack positions.

## General Properties

|                           |                              |
|---------------------------|------------------------------|
| Number of wash cycles     | 6                            |
| Number of options         | 5                            |
| dBA                       | 42                           |
| Third rack                | Flexible 3rd Rack            |
| Rack adjustability        | Rackmatic®                   |
| Tub material              | Stainless Steel              |
| Control type              | Touch Control                |
| Concealed heating element | Yes                          |
| Leak protection system    | 24/7 AquaStop®               |
| Water softener            | No                           |
| Five-level wash           | Yes                          |
| ChildLock                 | No                           |
| Special features          | InfoLight®, Extra Dry Option |

## Efficiency

|                                       |        |
|---------------------------------------|--------|
| Water usage per cycle                 | 2.9    |
| Energy efficiency class               | Tier 1 |
| ENERGY STAR® qualified                | Yes    |
| Total annual energy consumption (kWh) | 269    |
| Total annual water consumption (g)    | 623.5  |

## Capacity

|                          |    |
|--------------------------|----|
| Number of place settings | 16 |
|--------------------------|----|

## Technical Details

|                                 |         |
|---------------------------------|---------|
| Watts (W)                       | 1440 W  |
| Current (A)                     | 12 Amps |
| Volts (V)                       | 120 V   |
| Frequency (Hz)                  | 60 Hz   |
| Power cord length               | N/A     |
| Minimum water pressure (lb/sin) | 14      |
| Length outlet hose (in)         | 79"     |

## Dimensions & Weight

|   |                              |
|---|------------------------------|
| Overall appliance dimensions (HxWxD) (in) | 33 7/8" x 23 9/16" x 23 3/4" |
| Required cutout size (HxWxD) (in)         | 33 7/8" x 23 5/8" x 24"      |
| Adjustable feet                           | Yes                          |
| Net weight (lbs)                          | 92 lbs                       |

## Accessories—Optional

|                                  |            |
|----------------------------------|------------|
| Drain Hose Extension Kit         | SGZ1010UC  |
| Dishwasher Accessory Kit         | SMZ5000    |
| Anti-Tarnish Silverware Cassette | SMZ5002UC  |
| Powercord with Cold Plug         | SMZPC002UC |



**For help and assistance with Bosch accessories please visit: [www.bosch-eshop.com/eshop/bosch/us](http://www.bosch-eshop.com/eshop/bosch/us) or call 1-800-944-2904 Mon-Fri 5am to 6pm PST Sat 6am to 3pm PST**

Notes: All height, width and depth dimensions are shown in inches. BSH reserves the absolute and unrestricted right to change product materials and specifications, at any time, without notice. Consult the product's installation instructions for final dimensional data and other details prior to making cutout. Applicable product warranty can be found in accompanying product literature or you may contact your account manager for further details.

Warranties: Bosch warrants that the Product is free from defects in materials and workmanship for a period of three hundred and sixty-five (365) days from the date of purchase. The foregoing timeline begins to run upon the date of purchase, and shall not be stalled, tolled, extended, or suspended, for any reason whatsoever. This Product is also warranted to be free from cosmetic defects in material and workmanship (such as scratches of stainless steel, paint/porcelain blemishes, chip, dents, or other damage) to the finish of the Product, for a period of thirty (30) days from the date of purchase or closing date for new construction. This cosmetic warranty excludes slight color variations due to inherent differences in painted and porcelain parts, as well as differences caused by kitchen lighting, product location, or other similar factors. This cosmetic warranty specifically excludes any display, floor, "As Is", or "B" stock appliances.

**For more information on our entire line of products, go to [www.bosch-home.com/us](http://www.bosch-home.com/us) or call 1-800-944-2904**

© BSH Home Appliances Corporation. All rights reserved. Bosch is a registered trademark of Robert Bosch GmbH.

# 24" Pocket Handle Dishwasher

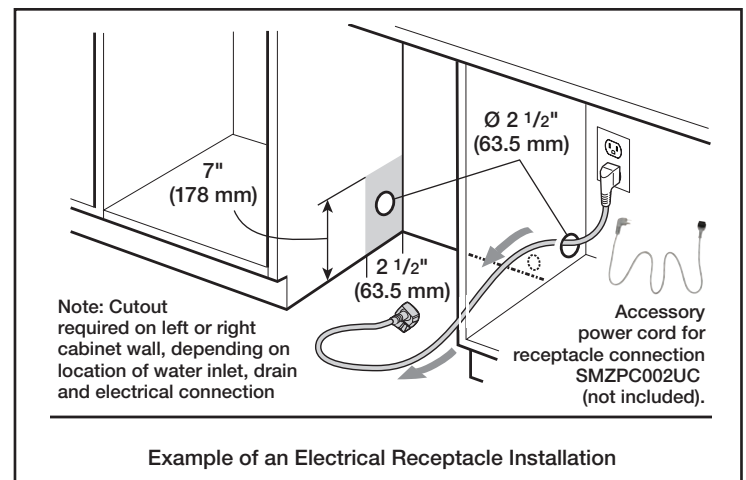
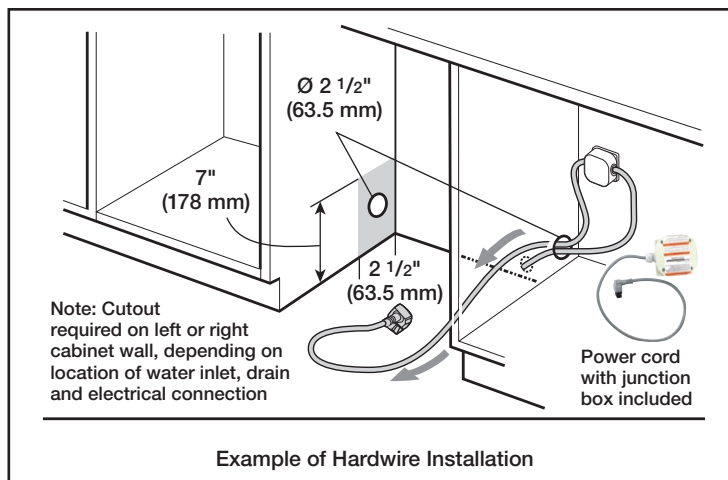
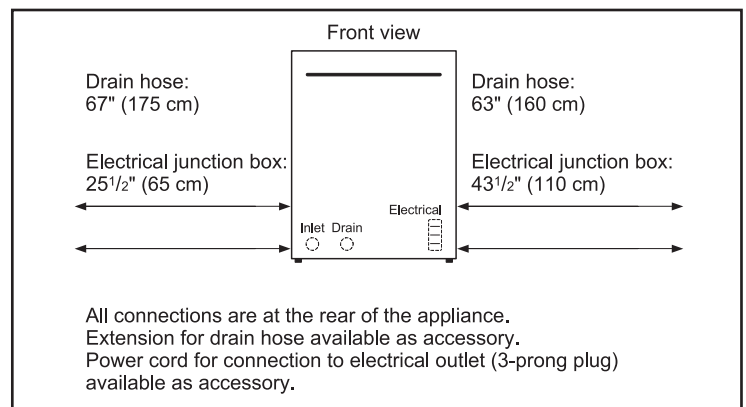
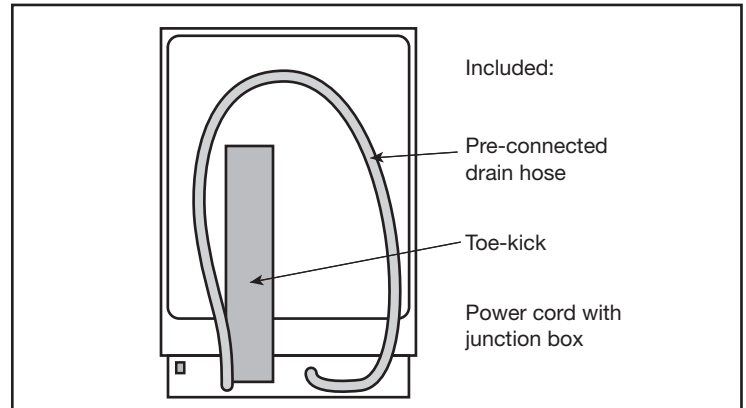
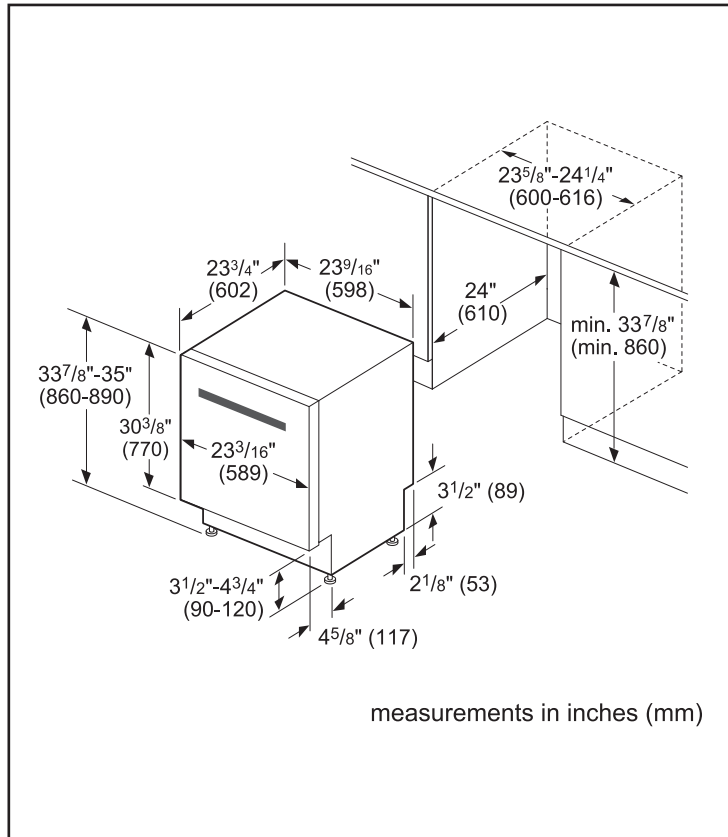
800 Series – Black SHPM78W56N



**BOSCH**

Invented for life

## Installation Details



For help and assistance with Bosch accessories please visit: [www.bosch-eshop.com/eshop/bosch/us](http://www.bosch-eshop.com/eshop/bosch/us) or call 1-800-944-2904 Mon-Fri 5am to 6pm PST Sat 6am to 3pm PST

Notes: All height, width and depth dimensions are shown in inches. BSH reserves the absolute and unrestricted right to change product materials and specifications, at any time, without notice. Consult the product's installation instructions for final dimensional data and other details prior to making cutout. Applicable product warranty can be found in accompanying product literature or you may contact your account manager for further details.

Warranties: Bosch warrants that the Product is free from defects in materials and workmanship for a period of three hundred and sixty-five (365) days from the date of purchase. The foregoing timeline begins to run upon the date of purchase, and shall not be stalled, tolled, extended, or suspended, for any reason whatsoever. This Product is also warranted to be free from cosmetic defects in material and workmanship (such as scratches of stainless steel, paint/porcelain blemishes, chip, dents, or other damage) to the finish of the Product, for a period of thirty (30) days from the date of purchase or closing date for new construction. This cosmetic warranty excludes slight color variations due to inherent differences in painted and porcelain parts, as well as differences caused by kitchen lighting, product location, or other similar factors. This cosmetic warranty specifically excludes any display, floor, "As Is", or "B" stock appliances.

For more information on our entire line of products, go to [www.bosch-home.com/us](http://www.bosch-home.com/us) or call 1-800-944-2904

© BSH Home Appliances Corporation. All rights reserved. Bosch is a registered trademark of Robert Bosch GmbH.

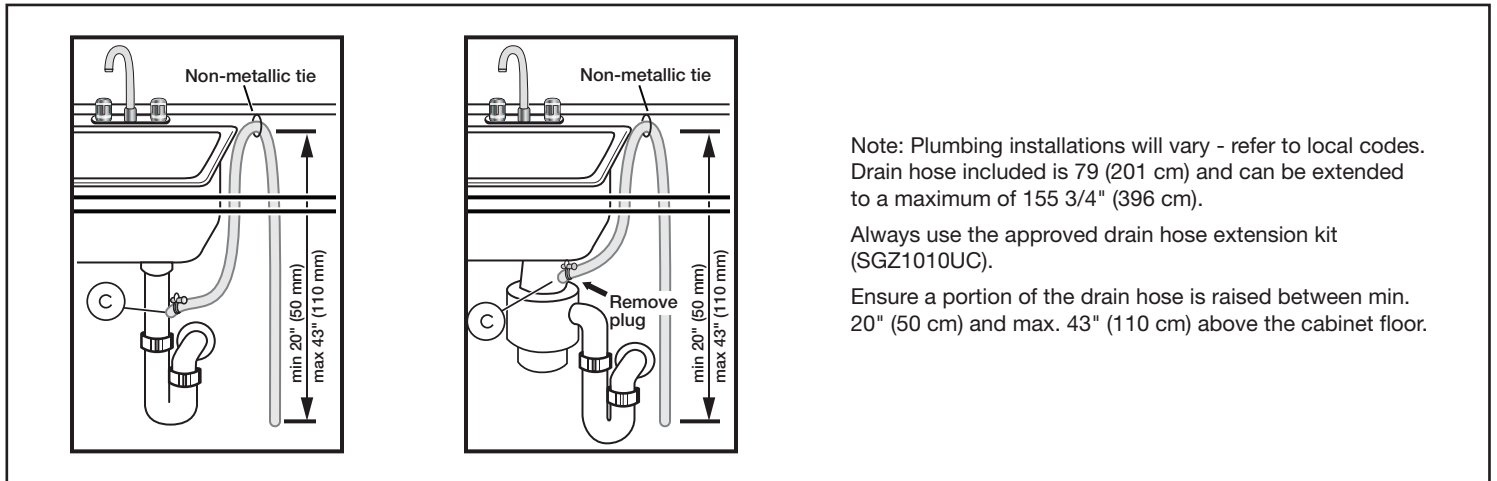
# 24" Pocket Handle Dishwasher

800 Series – Black SHPM78W56N



**BOSCH**  
Invented for life

## Installation Details



Note: Plumbing installations will vary - refer to local codes. Drain hose included is 79 (201 cm) and can be extended to a maximum of 155 3/4" (396 cm).

Always use the approved drain hose extension kit (SGZ1010UC).

Ensure a portion of the drain hose is raised between min. 20" (50 cm) and max. 43" (110 cm) above the cabinet floor.

**For help and assistance with Bosch accessories please visit: [www.bosch-eshop.com/eshop/bosch/us](http://www.bosch-eshop.com/eshop/bosch/us) or call 1-800-944-2904 Mon-Fri 5am to 6pm PST Sat 6am to 3pm PST**

Notes: All height, width and depth dimensions are shown in inches. BSH reserves the absolute and unrestricted right to change product materials and specifications, at any time, without notice. Consult the product's installation instructions for final dimensional data and other details prior to making cutout. Applicable product warranty can be found in accompanying product literature or you may contact your account manager for further details.

Warranties: Bosch warrants that the Product is free from defects in materials and workmanship for a period of three hundred and sixty-five (365) days from the date of purchase. The foregoing timeline begins to run upon the date of purchase, and shall not be stalled, tolled, extended, or suspended, for any reason whatsoever. This Product is also warranted to be free from cosmetic defects in material and workmanship (such as scratches of stainless steel, paint/porcelain blemishes, chip, dents, or other damage) to the finish of the Product, for a period of thirty (30) days from the date of purchase or closing date for new construction. This cosmetic warranty excludes slight color variations due to inherent differences in painted and porcelain parts, as well as differences caused by kitchen lighting, product location, or other similar factors. This cosmetic warranty specifically excludes any display, floor, "As Is", or "B" stock appliances.

**For more information on our entire line of products, go to [www.bosch-home.com/us](http://www.bosch-home.com/us) or call 1-800-944-2904**

© BSH Home Appliances Corporation. All rights reserved. Bosch is a registered trademark of Robert Bosch GmbH.