

36" Counter-Depth 4-Door Refrigerator

800 Series – Stainless Steel B21CL80SNS



B21CL80SNS
Stainless Steel

The 4-Door Counter-Depth Refrigerator features better freezer access, extra-cold storage & humidity controlled drawers to keep food fresh.

Features & Benefits

2-drawer freezer provides better organization and access to food.

A full-width Chiller Drawer provides extra-cold storage.

A retractable shelf allows you to easily store tall bottles and items.

Dual AirCool system provides even temperatures & minimal odor transfer.

Humidity controlled crisper drawers help keep food fresher longer.

General Properties	
Water filter	No
Lighting	LED
Defrost process refrigerator section	Frost-free
Number of shelves - refrigerator	5
Adjustable shelves - refrigerator	4 half-width
Shelf material - refrigerator	Tempered glass
Type of shelves - refrigerator	Tempered glass
Gallon storage bins	5
Humidity control drawer	2
Defrost process freezer section	Automatic
Number of drawers - freezer	2
Ice maker	Yes

Capacity	
Total unit gross capacity (cu. ft.) – AHAM	20.7
Refrigerator gross capacity (cu. ft.)	14.7
Freezer gross capacity (cu. ft.)	6.0

Technical Details	
Current (A)	10 A
Volts (V)	120 V
Frequency (Hz)	60 Hz
Power cord length (in.)	67
Plug type	120V-3 prong



Dimensions & Weight	
Appliance dimensions (H x W x D) (in.)	69 7/8" x 35 3/4" x 28 3/4"
Required cutout size (H x W x D) (in.)	70" x 36" x 25"
Net weight (lbs)	301.76 lbs

Efficiency	
Energy consumption (kWh/yr)	623 kWh

Accessories—Included	
Included	2 Egg Trays, Ice scoop, Toe kick trim cover

* Add 63/64" (2.5 cm) to the height dimension when leveling legs are fully extended

Accessories—Optional	
BOHANDL40	
Pro-style stainless-steel handle kit (P/N 00775143)	



For help and assistance with Bosch accessories please visit: www.bosch-eshop.com/eshop/bosch/us or call 1-800-944-2904 Mon-Fri 5am to 6pm PST Sat 6am to 3pm PST

Notes: All height, width and depth dimensions are shown in inches. BSH reserves the absolute and unrestricted right to change product materials and specifications, at any time, without notice. Consult the product's installation instructions for final dimensional data and other details prior to making cutout. Applicable product warranty can be found in accompanying product literature or you may contact your account manager for further details.

Warranties: Bosch warrants that the Product is free from defects in materials and workmanship for a period of three hundred and sixty-five (365) days from the date of purchase. The foregoing timeline begins to run upon the date of purchase, and shall not be stalled, tolled, extended, or suspended, for any reason whatsoever. This Product is also warranted to be free from cosmetic defects in material and workmanship (such as scratches of stainless steel, paint/porcelain blemishes, chip, dents, or other damage) to the finish of the Product, for a period of thirty (30) days from the date of purchase or closing date for new construction. This cosmetic warranty excludes slight color variations due to inherent differences in painted and porcelain parts, as well as differences caused by kitchen lighting, product location, or other similar factors. This cosmetic warranty specifically excludes any display, floor, "As Is", or "B" stock appliances.

For more information on our entire line of products, go to www.bosch-home.com/us or call 1-800-944-2904

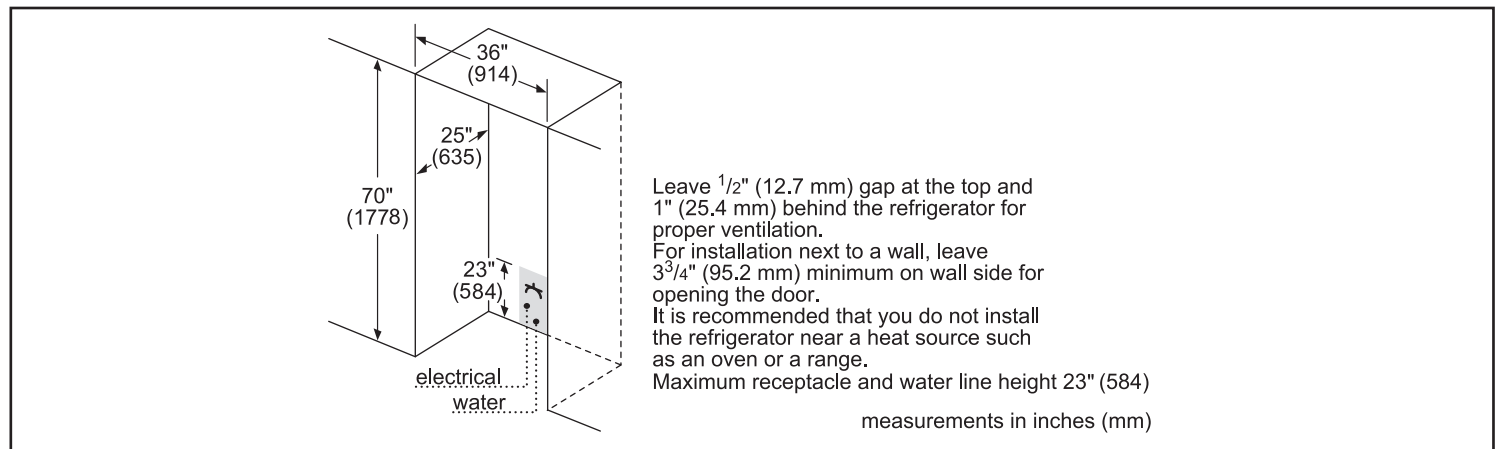
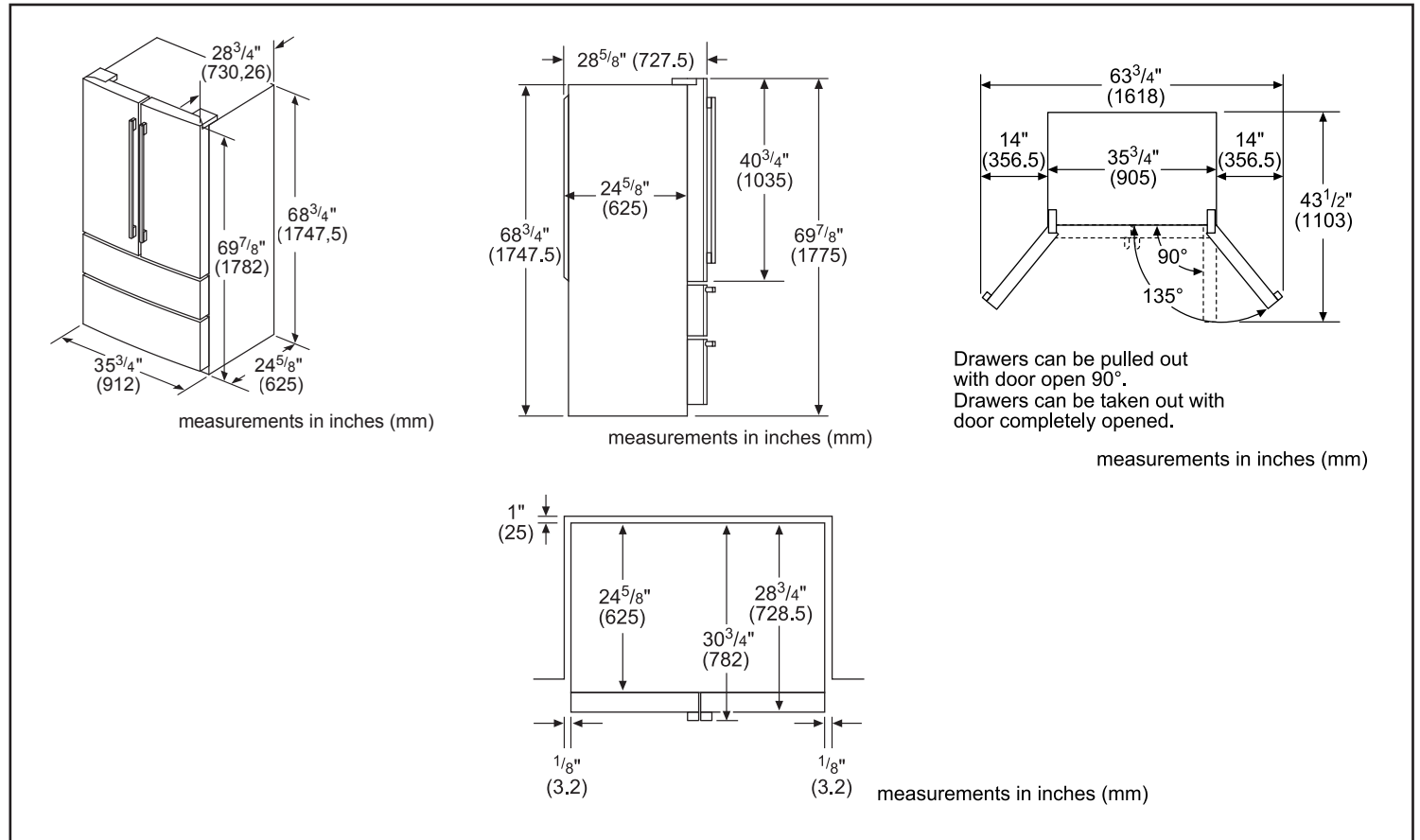
© BSH Home Appliances Corporation. All rights reserved. Bosch is a registered trademark of Robert Bosch GmbH.

36" Counter-Depth 4-Door Refrigerator

800 Series – Stainless Steel B21CL80SNS



Installation Details



For help and assistance with Bosch accessories please visit: www.bosch-eshop.com/eshop/bosch/us or call 1-800-944-2904 Mon-Fri 5am to 6pm PST Sat 6am to 3pm PST

Notes: All height, width and depth dimensions are shown in inches. BSH reserves the absolute and unrestricted right to change product materials and specifications, at any time, without notice. Consult the product's installation instructions for final dimensional data and other details prior to making cutout. Applicable product warranty can be found in accompanying product literature or you may contact your account manager for further details.

Warranties: Bosch warrants that the Product is free from defects in materials and workmanship for a period of three hundred and sixty-five (365) days from the date of purchase. The foregoing timeline begins to run upon the date of purchase, and shall not be stalled, tolled, extended, or suspended, for any reason whatsoever. This Product is also warranted to be free from cosmetic defects in material and workmanship (such as scratches of stainless steel, paint/porcelain blemishes, chip, dents, or other damage) to the finish of the Product, for a period of thirty (30) days from the date of purchase or closing date for new construction. This cosmetic warranty excludes slight color variations due to inherent differences in painted and porcelain parts, as well as differences caused by kitchen lighting, product location, or other similar factors. This cosmetic warranty specifically excludes any display, floor, "As Is", or "B" stock appliances.

For more information on our entire line of products, go to www.bosch-home.com/us or call 1-800-944-2904

© BSH Home Appliances Corporation. All rights reserved. Bosch is a registered trademark of Robert Bosch GmbH.