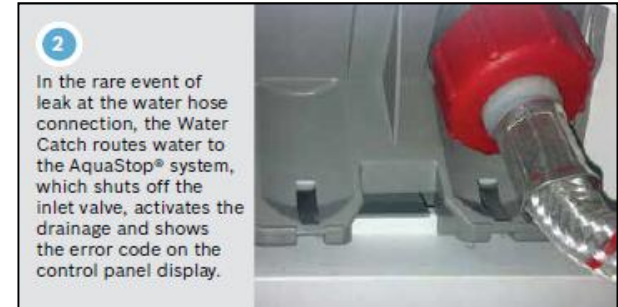
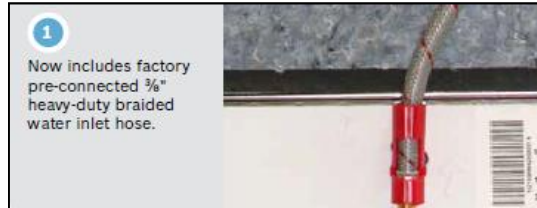
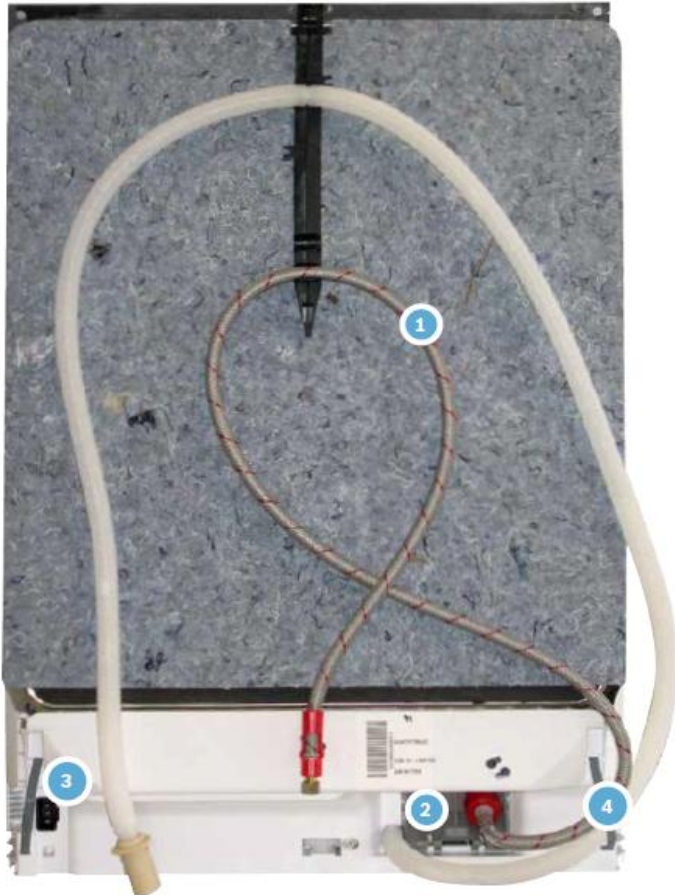


New 300/500/800 Bosch Dishwasher Installation - Overview

New Improvements for faster, safer, and more secure Installations



Home Appliances - For Internal Use Only - Do Not Distribute

1

Internal use only| PDC-RNA/MK | March 2013| © Robert Bosch Hausgeräte GmbH, Munich reserves all rights even in the event of industrial property rights. We reserve all rights of disposal such as copying and passing on to third parties..



BOSCH

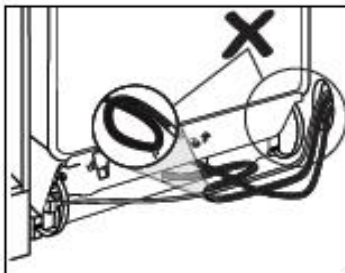
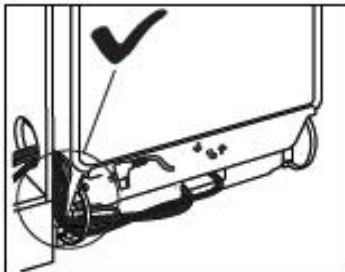
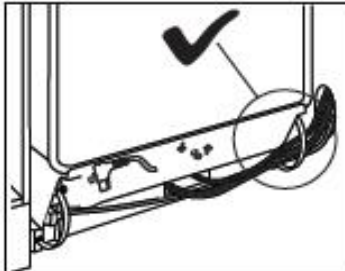
New Bosch Dishwasher Installation – Guidance with POP

Important Information

Route the hoses through the left or right hand side traps.
Refer installation guide for details.

L'information importante

Conduisez les tuyaux par la bande de côté gauche ou droit.
Référez-vous le guide d'installation pour des détails.



Factory applied installation pop will be included on the back of the new units

Free 'Quick-Install Kit' included:

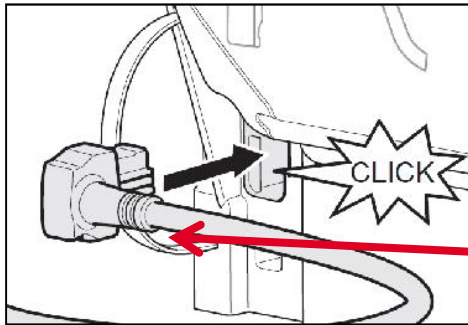
1. Pre-connected braided water inlet hose
2. Pre-connected drain hose
3. Flexible connection for hard wiring*

* When installing to an outlet connection, a 3-prong power cord is available for purchase (#SMZPC002UC).

Home Appliances - For Internal Use Only - Do Not Distribute



New Dishwasher Electrical Installation Options

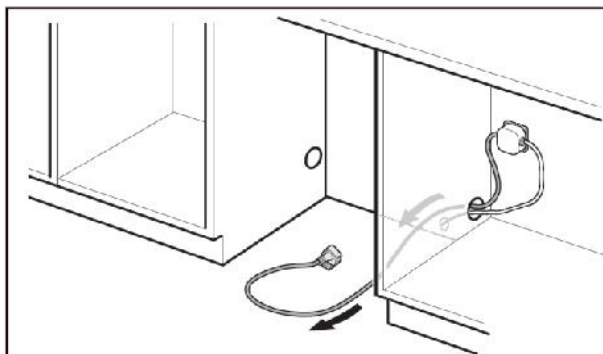


Bosch dishwashers (300 ,500, 800 series) now have new electrical installation options.

New – a proprietary connector plug in the rear for a safe and quick installation.

Option #1: Hardwire

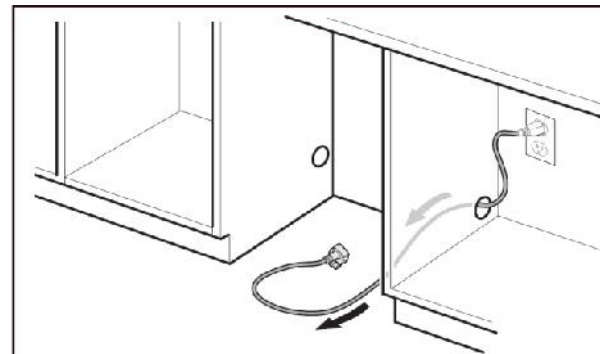
- Power cord with junction box shipped with the appliance
- This installation type is valid for ~70 % of installations in North America



Supplied with appliance

Option #2: 3-prong receptacle plug

- Accessory 3-prong plug power cord kit available for purchase (SMZPC002UC) **Best Buy Item # 1365189**
- The recommended power cord to be used when installing a unit to an electrical receptacle
- Electrical and plumbing codes vary across North America. The installing party has the responsibility of ensuring that the dishwasher installation is in compliance with all national and local electrical and plumbing codes and ordinances.



Best Buy Item # 1365189

Home Appliances - For Internal Use Only - Do Not Distribute

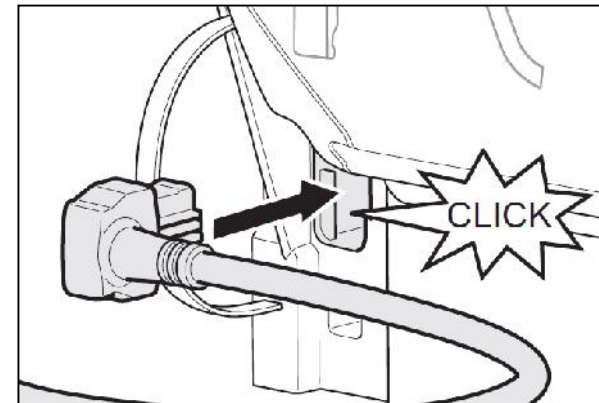
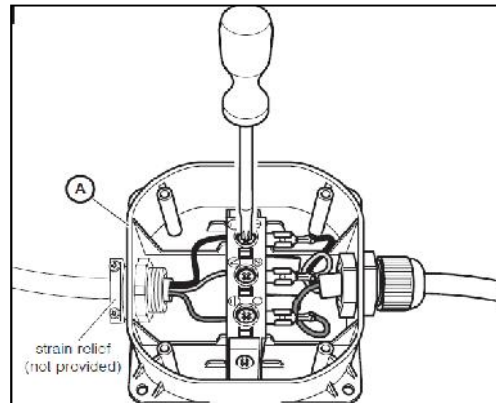
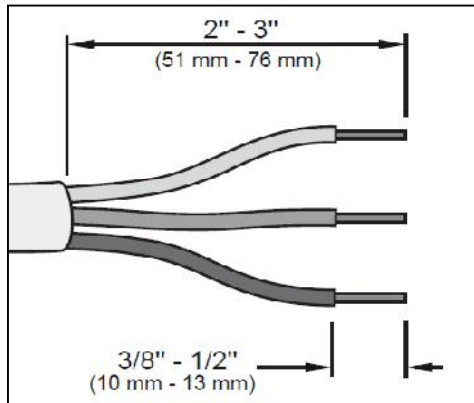


Installation Option #1: Hardwire

Hardwire Electrical supply conductors shall be a minimum #14 AWG copper wire rated at 167°F or higher

Connect wires to junction box terminal block and securely tighten the terminal block screws

Plug the end of the power cord into the back of the dishwasher as shown until it clicks



The dishwasher is designed for an electrical supply of 120V, 60 Hz, AC, connected to a dishwasher-dedicated, properly grounded electrical circuit with a fuse or breaker rated for 15 amps.

Home Appliances - For Internal Use Only - Do Not Distribute

4 Internal use only| PDC-RNA/MK | March 2013| © Robert Bosch Hausgeräte GmbH, Munich reserves all rights even in the event of industrial property rights. We reserve all rights of disposal such as copying and passing on to third parties..

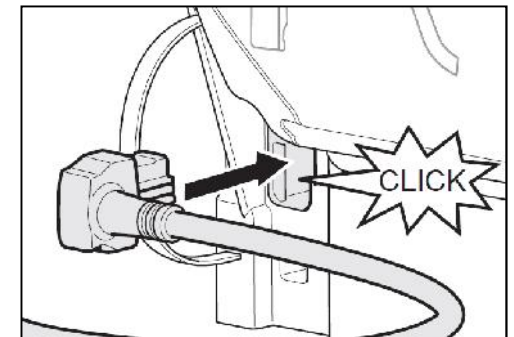
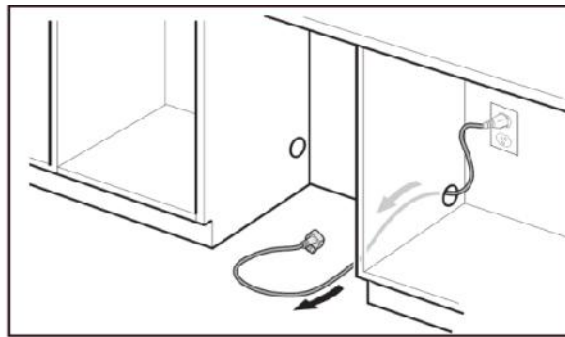
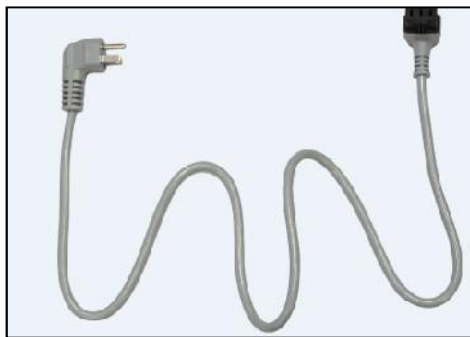


BOSCH

Installation Option #2: 3-prong receptacle plug

- Accessory 3-prong plug power cord kit available for purchase
- The recommended power cord to be used when installing a unit to an electrical receptacle
- Electrical and plumbing codes vary across North America. The installing party has the responsibility of ensuring that the dishwasher installation is in compliance with all national and local electrical and plumbing codes and ordinances.
- Applicable for
 - Bosch: 300/500/800 Series

Best Buy Item 1365189
Model #SMZPC002UC



Home Appliances - For Internal Use Only - Do Not Distribute

Internal use only | PDC-RNA/MK | March 2013 | © Robert Bosch Hausgeräte GmbH, Munich reserves all rights even in the event of industrial property rights. We reserve all rights of disposal such as copying and passing on to third parties..



BOSCH

Bosch Dishwasher Ascenta Installation

Ascenta Models Only:



Model #SGZPC001UC 61" Dishwasher 3-Prong Power Cord

- Current and new Ascenta models utilize this cord
- Power cord is to be wired directly to the dishwasher

Home Appliances - For Internal Use Only - Do Not Distribute

Internal use only | PDC-RNA/MK | March 2013 | © Robert Bosch Hausgeräte GmbH, Munich reserves all rights even in the event of industrial property rights. We reserve all rights of disposal such as copying and passing on to third parties..



BOSCH